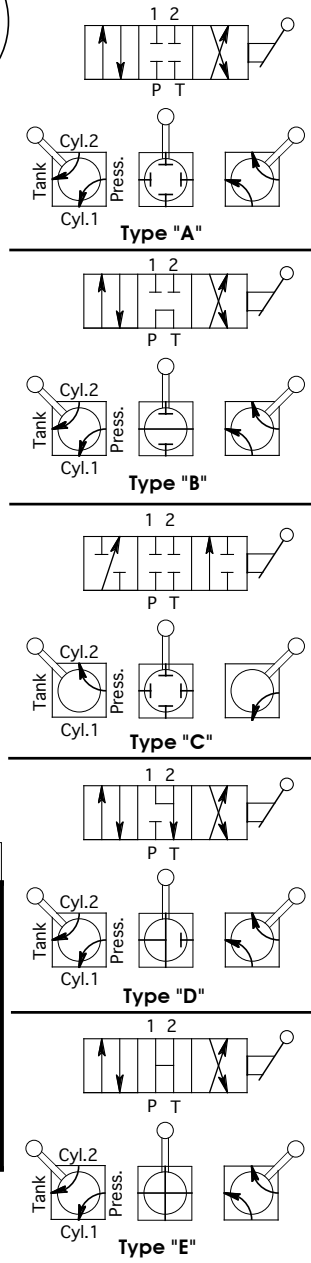
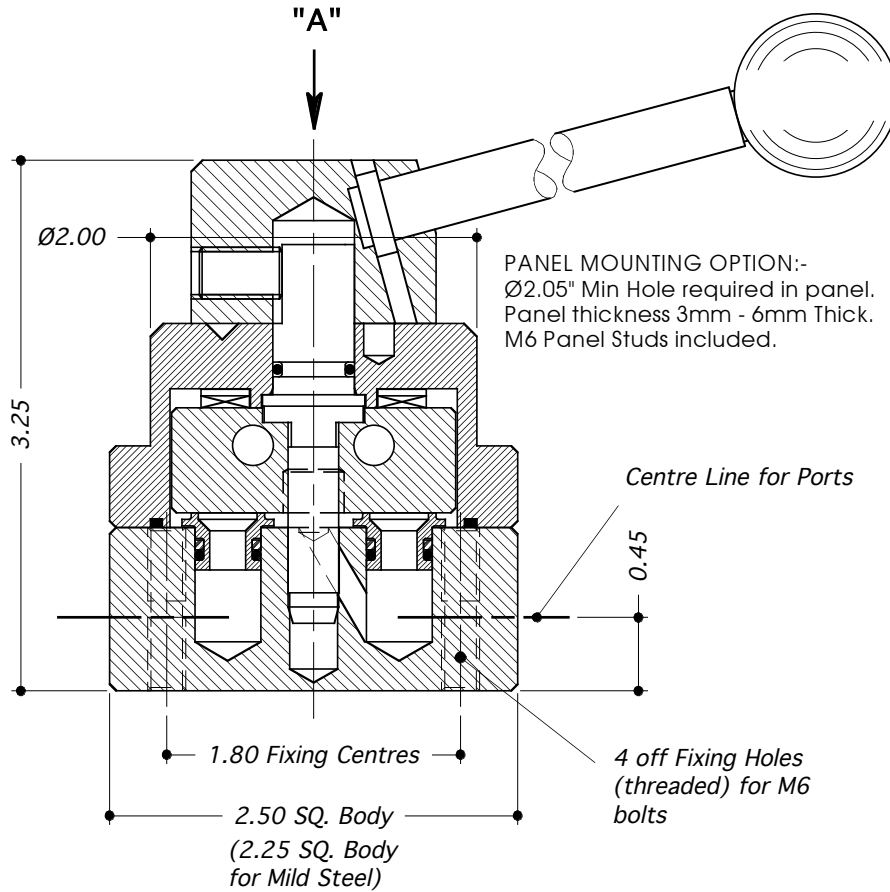


ROTARY CONTROL VALVE TYPE: 4R25



- 4 PORTED LEVER OPERATED STAINLESS STEEL (316 / 1.4404) VALVE. (SOME CARBON STEEL INTERNAL PARTS)
- BODY MATERIAL OPTION: MILD STEEL - ENP (EN1A / 220M07)
- SUITABLE FOR LIQUID USE.
- SPECIFY "FLOW PATTERN TYPE" WHEN ORDERING.
- ALL "FLOW DIAGRAMS" ARE VIEWED ON ARROW "A".
- ALL DIMENSIONS IN INCHES.

Handle Length 5.0" Approx.
Handle Travel: - 90°



TECHNICAL SPECIFICATION		ORDERING EXAMPLE
Material Option (non-std)	C = Mild Steel (Electro-Nickel Plated)	—
Valve Type:	4R25	4R25
Porting / Connection Options:	P = BSP (Parallel) N = NPT (Taper) M = Manifold *	N
Flow Pattern:	A, B, C, D, E (see flow diagrams)	A
Valve Options:	PM = Panel Mounted	—
Max. Working Pressure: Liquid	10,000 psi (1,450 psi MAX on Tank Port)	10K
Port Size:	1/4"	
Seal Material:	Viton (other materials available by request)	
CV Value:	0.67	
Dry Weight: (kg)	1.75	
Working Temperature Range:	-10°C to +100°C	

Technical Specification Notes:-

* For the "MANIFOLD" version, "Flow Pattern" diagrams for the 4R37 valve model apply. See Page 4 : 2 for details.

The "Flow Pattern" diagrams are viewed on arrow "A"